

Instructions



SPG600 Sync Pulse Generator Rackmount Kit

075-0800-01

Warning

The servicing instructions are for use by qualified personnel only. To avoid personal injury, do not perform any servicing unless you are qualified to do so. Refer to all safety summaries prior to performing service.

www.tektronix.com



075080001

Copyright © Tektronix. All rights reserved. Licensed software products are owned by Tektronix or its subsidiaries or suppliers, and are protected by national copyright laws and international treaty provisions.

Tektronix products are covered by U.S. and foreign patents, issued and pending. Information in this publication supercedes that in all previously published material. Specifications and price change privileges reserved.

TEKTRONIX and TEK are registered trademarks of Tektronix, Inc.

Contacting Tektronix

Tektronix, Inc.
14200 SW Karl Braun Drive
P.O. Box 500
Beaverton, OR 97077
USA

For product information, sales, service, and technical support:

- In North America, call 1-800-833-9200.
- Worldwide, visit www.tektronix.com to find contacts in your area.

Service Safety Summary

Only qualified personnel should perform service procedures. Read this *Service Safety Summary* and the *General Safety Summary* in the product service manual or the user manual.

Do Not Service Alone. Do not perform internal service or adjustments of this product unless another person capable of rendering first aid and resuscitation is present.

Disconnect Power. To avoid electric shock, disconnect the mains power by means of the power cord or, if provided, the power switch.

Use Care When Servicing With Power On. Dangerous voltages or currents may exist in this product. Disconnect power, remove battery (if applicable), and disconnect test leads before removing protective panels, soldering, or replacing components.

To avoid electric shock, do not touch exposed connections.

Kit Description

This document describes how to install the rackmount kit onto your SPG600 Sync Pulse Generator.

The rackmount kit is a collection of parts that, once installed, configures the instrument for mounting into a standard 19-inch equipment rack.

This document supports Tektronix modifications ECR31439 and ECR31689.

Products

SPG600 All serial numbers

Kit Parts List

Figure 1 on page 2	Quantity	Part number	Description
1-1	1 ea	351-0104-xx	Guide rack, consisting of: left and right sides
1-2	8 ea	212-A041-xx	Screw, mach: M4 x 8 mm, Phillips
1-3	1 ea	351-0751-01	Track, slide-out sections: pair (LH, RH)
1-3	8 ea	NS	Screw, mach: 10-32, panhead, 3/8 in, Phillips
1-3	6 ea	NS	Screw, mach: M6 x 10 mm, slotted
1-3	6 ea	NS	Bar nut
- - -	1 ea	075-0800-01	Technical manual: Instructions, SPG600 Rackmount kit

NS - Not Saleable

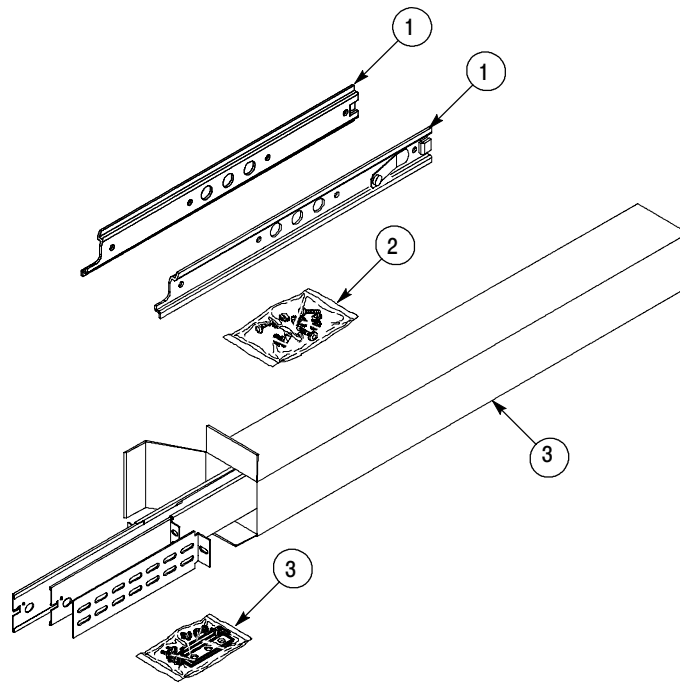


Figure 1: Rackmount kit parts

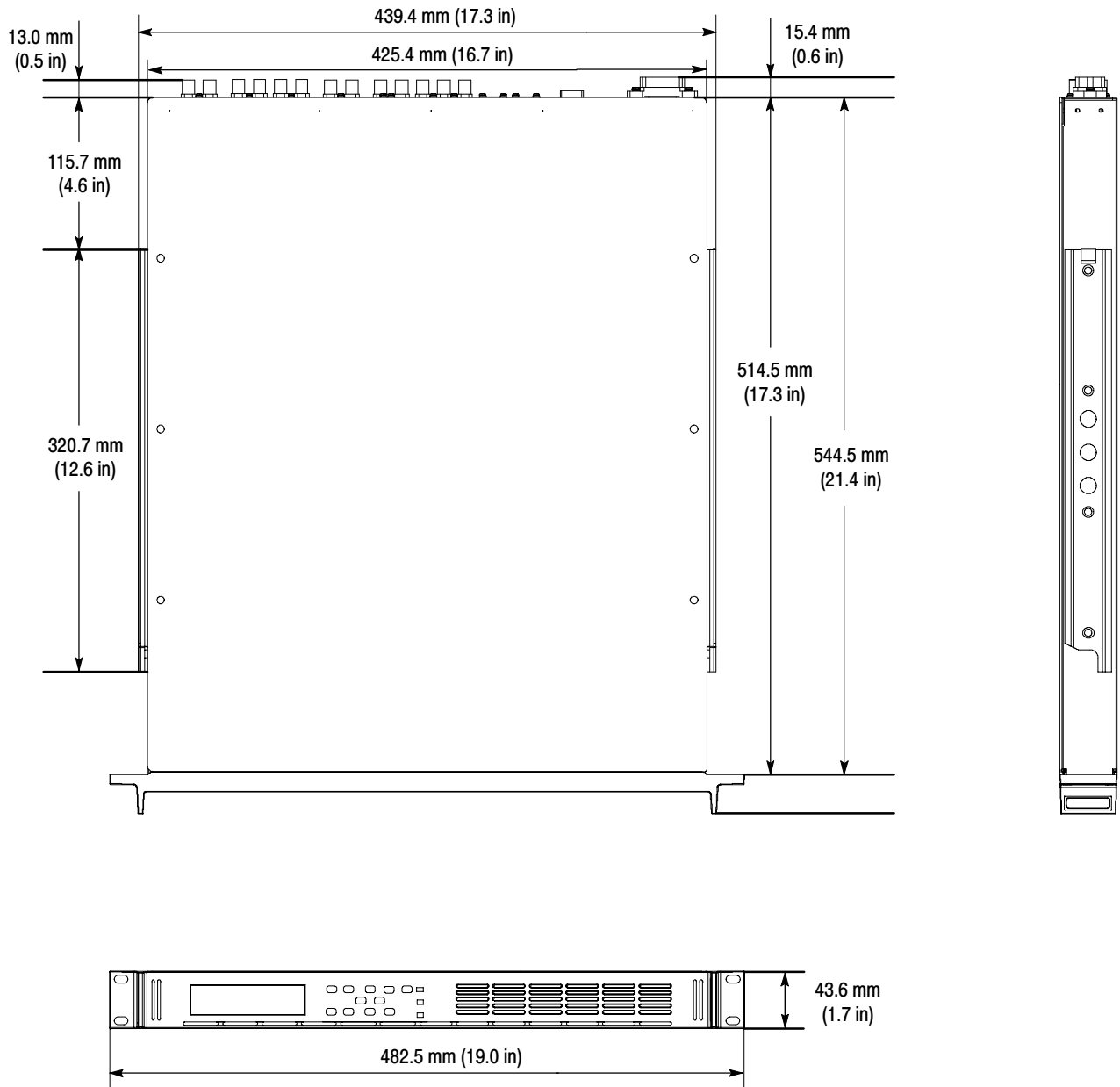


Figure 2: SPG600 dimensions with inside tracks installed

Installation Instructions

This section provides instructions for installing the SPG600 Sync Pulse Generator into a standard 19-inch equipment rack.

Minimum Tool Equipment List

The following tools are required to install the rackmounting hardware into the equipment rack. All tools are standard tools that are readily available.

Required tools and equipment	Description
Screwdriver handle (magnetic)	Accepts 1/4 inch hex-head driver tips
#2 Phillips tip	Phillips-driver tip for M3 size screw heads
#2 Pozidriv tip	Pozidriv-driver tip for #2 size screw heads



WARNING. *To prevent the rackmounted instrument from tipping forward onto the operator, install the instrument so that the operator will be able to access all of its rear-panel connectors without pushing down on the instrument.*

Verify that the rack does not become unstable with the instrument fully extended. Do not leave the instrument extended when finished accessing the rear panel.

Installing the Inside Tracks

This procedure installs the inside tracks to the instrument.

NOTE. *The inside tracks may already be installed on your instrument. If they are, go to Rackmounting the Instrument on the next page.*

1. Identify the right from the left inside track using Figure 1.
2. Align the four mounting holes on the right inside track to the four mounting holes on the right side of the instrument.
3. Using a screw driver with a #2 Phillips tip, install the right inside track to the right side of the instrument using four screws (M4 x 8).
4. Rotate the instrument to face the left side and repeat steps 2 and 3 to install the left inside track.

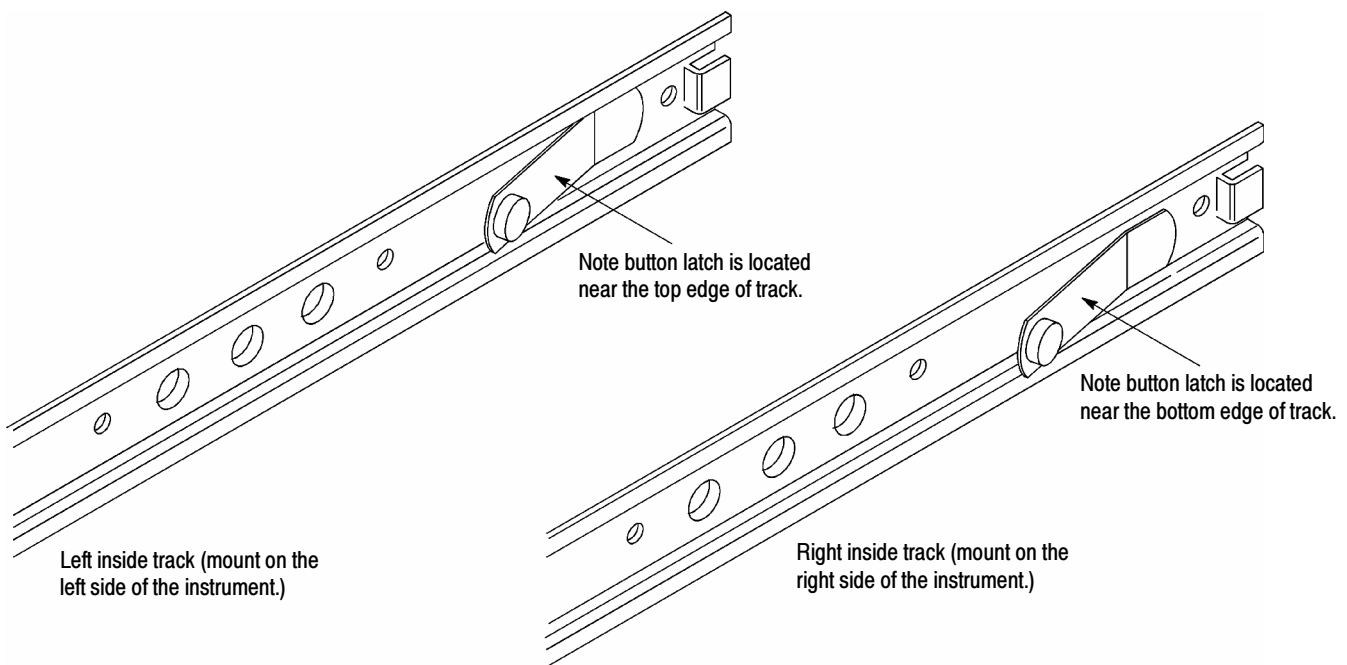


Figure 1: Left and right inside track identification

Rackmounting the Instrument

This procedure describes how to assemble and install the slide-out tracks in the equipment rack, and then how to install the instrument into the rack.

Assembling the Slide-out Tracks

1. Identify the equipment rack right versus left slide-out track assemblies by finding the date code label on each assembly. The equipment rack left-side assembly has a date code that ends with “LH”, for left hand. The equipment rack right-side assembly has a date code ending with “RH”.
2. Measure the distance between the front and rear rail of the equipment rack.
3. Align the rear bracket to the right slide-out track as shown in Figure 2. Note that the rear bracket has multiple pairs of mount-through holes. When aligning the bracket and track, be sure to select a pair of holes that mount the rear bracket so that the flange-to-flange distance matches the front rail to rear rail spacing of the rackmount rack just measured in step 2.
4. Using a screwdriver with a #2 pozidriv tip, secure the rear bracket to the right slide-out track using two 10-32 screws and a bar nut. Leave the screws loose so that you can adjust the overall length of the slide-out track assembly in the rack.
5. Repeat steps 3 and 4 to assemble the left slide-out track assembly.

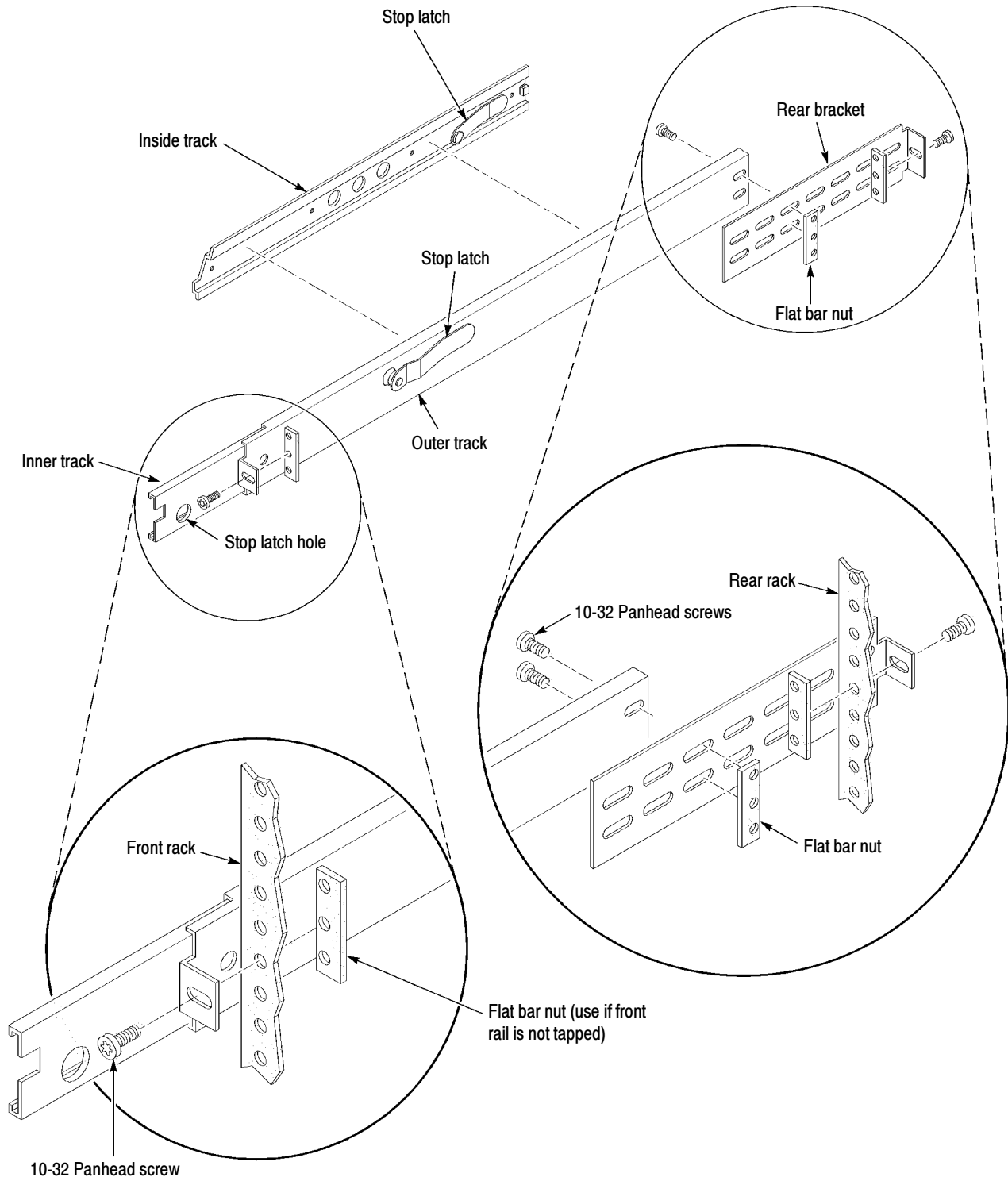


Figure 2: Assembly of slide-out track assemblies

Installing the Instrument

1. Working from the front of the rack, pull the inner track of each slide-out track assembly until it extends out the front of the rack. Continue to pull them out until they lock.
2. Insert the instrument left and right tracks into the ends of the rack tracks just extended. Make sure to insert the instrument tracks inside of the inner rack tracks extended in step 1.
3. Push the instrument into the rack until it stops.
4. Push both stop latches, located on the outside of each track, and continue to slide the instrument all the way into the rack.
5. Tighten the two screws that were left loose at the rear of the rack when you did step 3 in *Mounting the Slide-out Tracks* on page 9, and then pull the instrument part way out of the rack.
6. Be sure the two screws that were left loose at the front of the rack are loose enough to allow the slide-out track assemblies to seek the appropriate positions.
7. Retighten the two screws and push the instrument all the way into the rack. If the tracks do not slide smoothly, readjust the rail assemblies using the method just detailed.
8. When adjusting is completed, tighten all rail assembly 10-32 screws using 28 inch-lbs of torque.
9. Using a number two phillips screwdriver, install the 10-32 screw attached to your rack in one of the two mounting holes at the right side of the front panel. Repeat for the second mounting hole. Tighten both screws using 25 inch-lbs of torque.
10. Repeat step 9 to install the two screws in the left side of the front.

❖ End of document ❖